

The “A to Z” of
MECHANICAL ENGINEERING

The "A to Z" of **MECHANICAL ENGINEERING**

Acoustical
Aerospace
Agricultural
Automotive
Biomedical
Clothing
Combustion
Computer Aided Eng'ing
Dental
Energy systems
Environmental
Fluid mechanics
Ground vehicle systems
Heat transfer
HVAC
Instrumentation
Jacks and stands

Kinetic energy
Lifting equipment
Maintenance
Manufacturing
Marine
Materials
Mechanical design
Mechatronics
Military
Nanotechnology
Naval Architecture
Nuclear
Optical systems
Packaging, warehousing
Petroleum , chemical
plants
Power plant

Production
Quality and standards
Robotics
System dynamics and
control
Thermodynamics
Tool and die
Transportation systems
Ultrasonics
Valves
Welding
Wind turbines
X-Ray equipment
Yachts
"Zeppelins" (Airships)

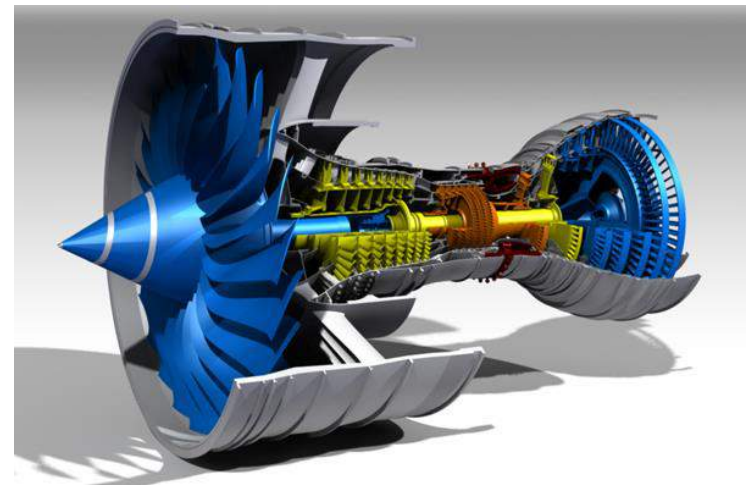
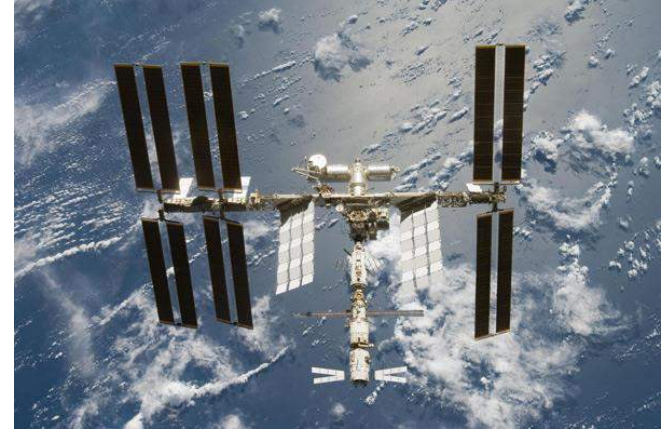
MECHANICAL ENGINEERING

Acoustical



MECHANICAL ENGINEERING

Aerospace



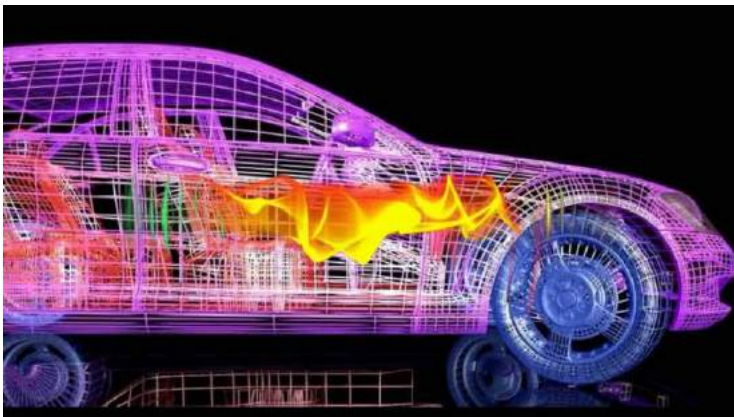
MECHANICAL ENGINEERING

Agricultural



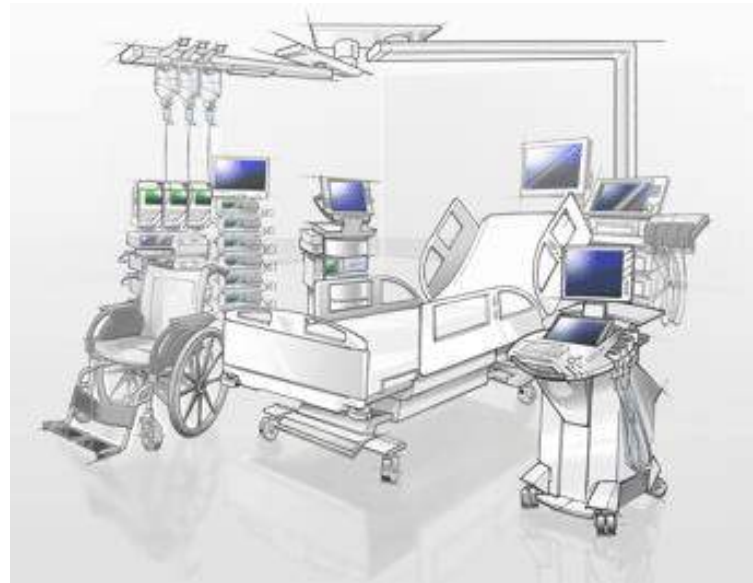
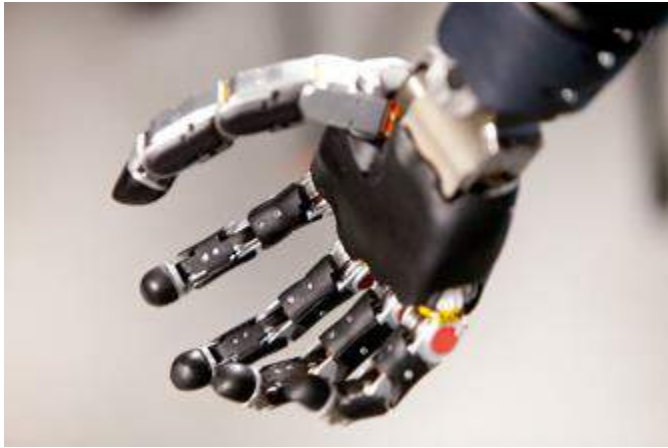
MECHANICAL ENGINEERING

Automotive



MECHANICAL ENGINEERING

Biomedical



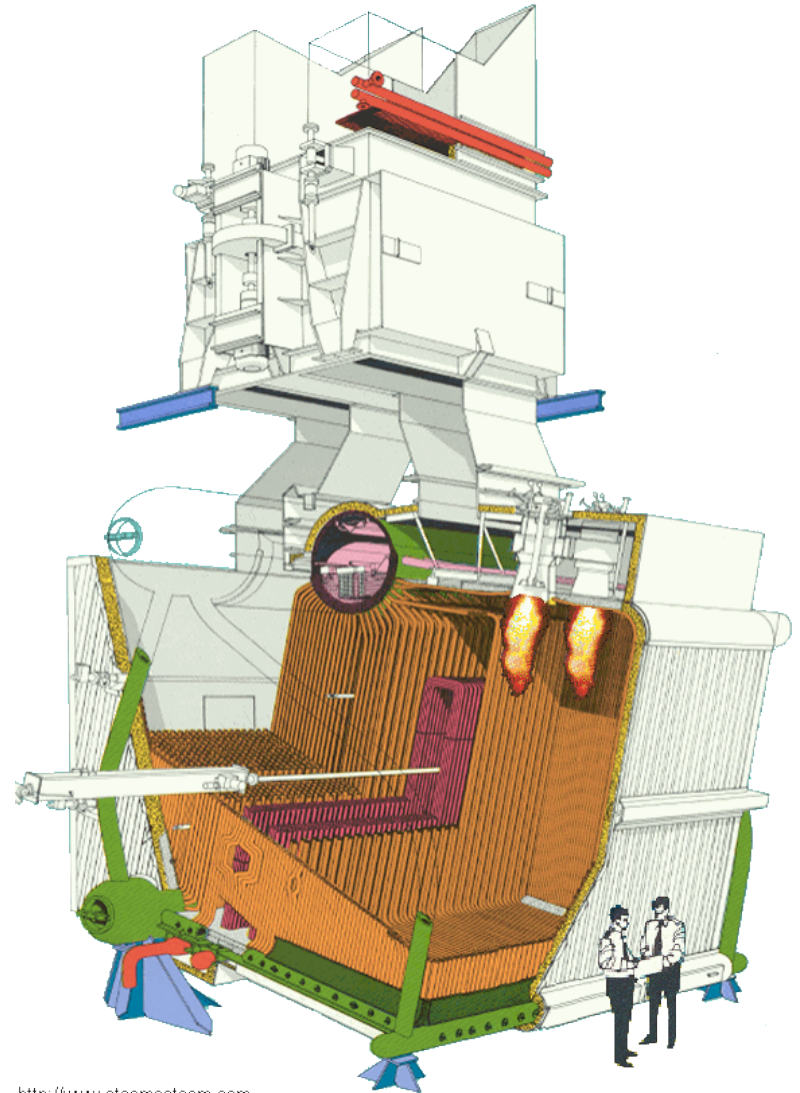
MECHANICAL ENGINEERING

Clothing



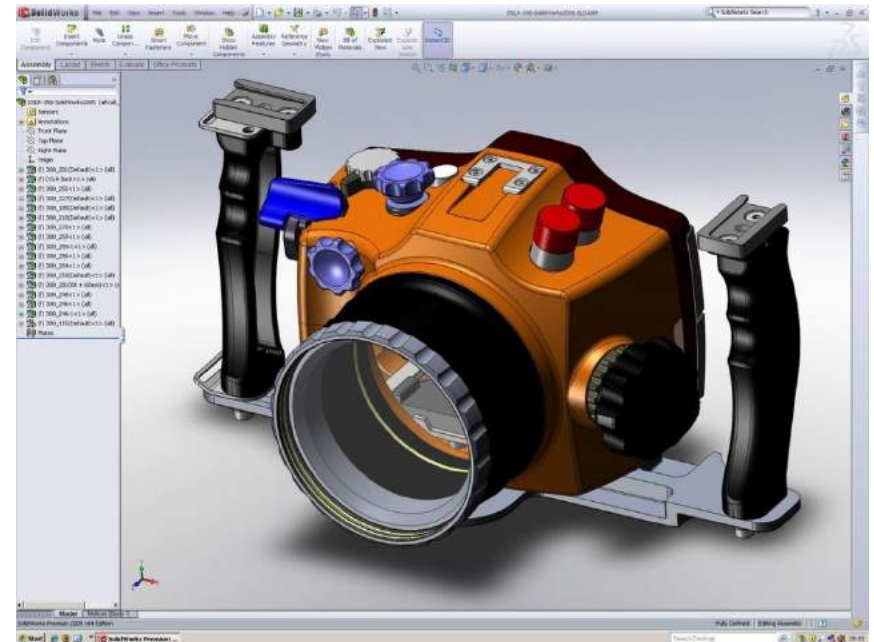
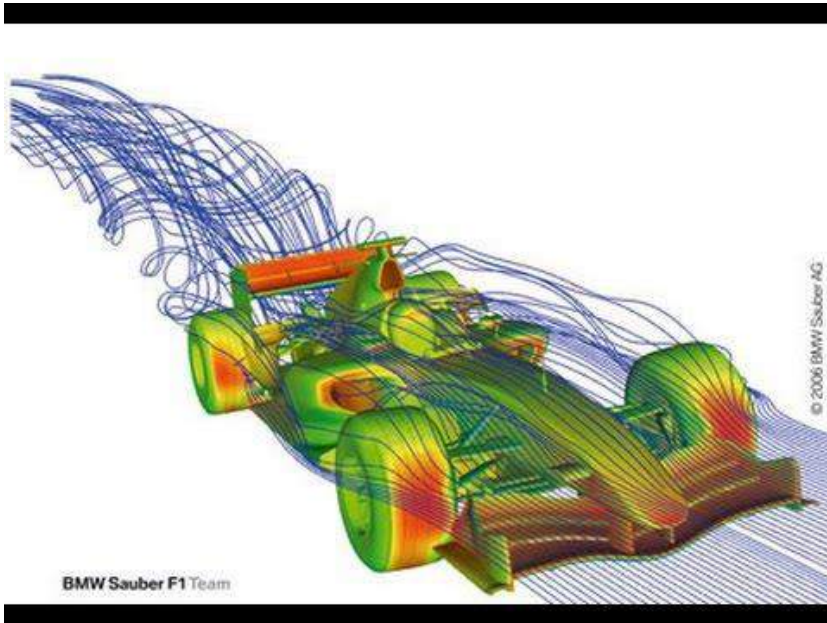
MECHANICAL ENGINEERING

Combustion



MECHANICAL ENGINEERING

Computer Aided Engineering



MECHANICAL ENGINEERING

Dental



MECHANICAL ENGINEERING

Energy systems



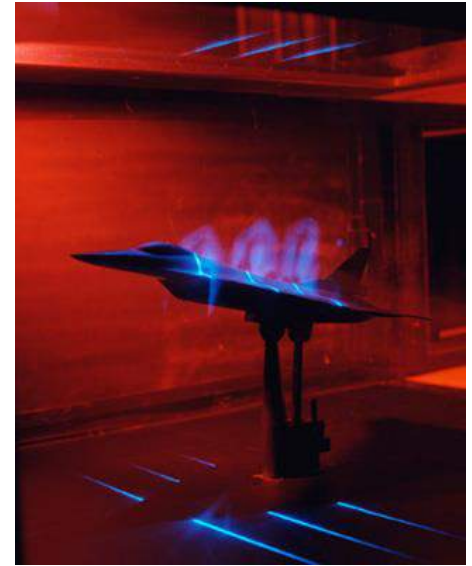
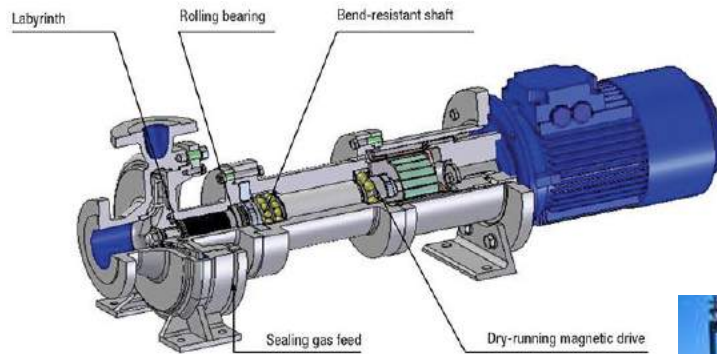
MECHANICAL ENGINEERING

Environmental



MECHANICAL ENGINEERING

Fluid mechanics



MECHANICAL ENGINEERING

Ground vehicle systems

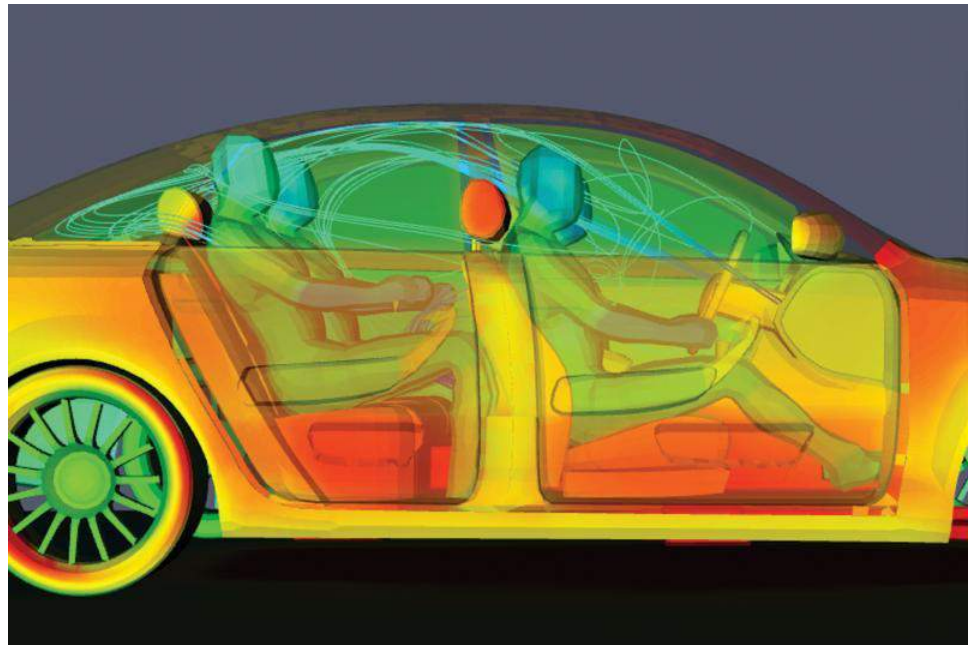


www.shutterstock.com · 413678056



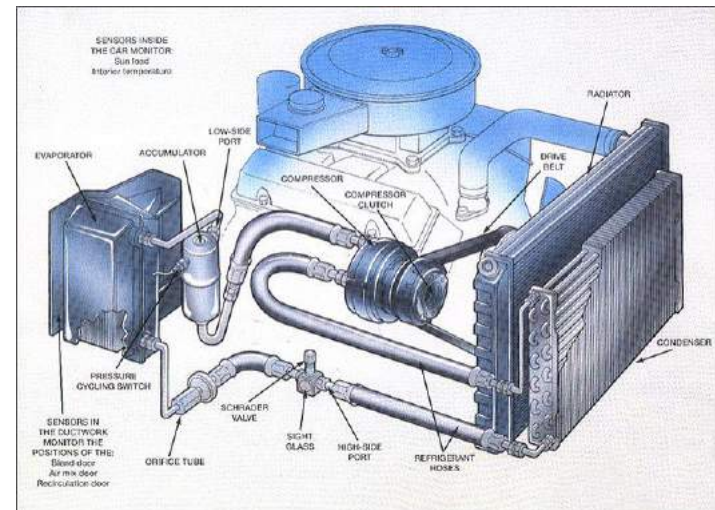
MECHANICAL ENGINEERING

Heat transfer



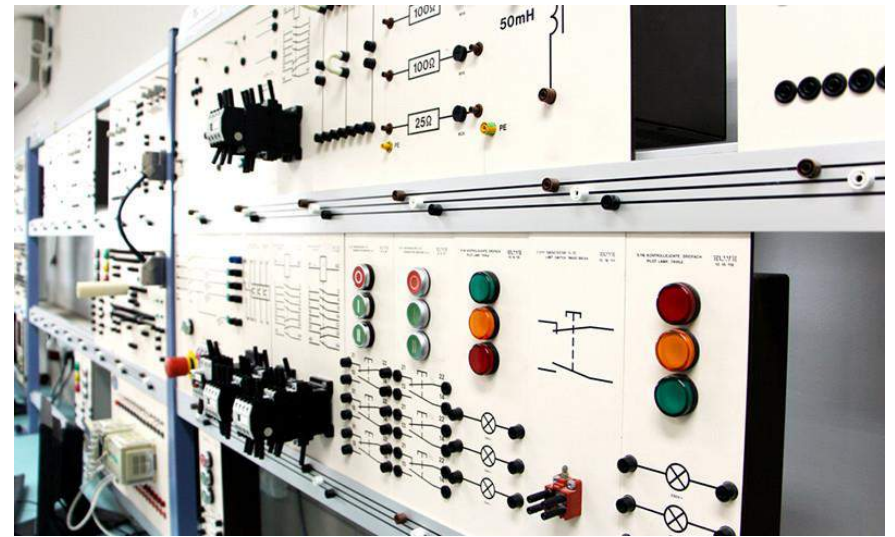
MECHANICAL ENGINEERING

HVAC



MECHANICAL ENGINEERING

Instrumentation



MECHANICAL ENGINEERING

Jacks and stands



MECHANICAL ENGINEERING

Kinetic energy



MECHANICAL ENGINEERING

Lifting equipment



PRESENTING THE NEW DONATI RANGE FROM AN OLD NAME IN CRANES

MECHANICAL ENGINEERING

Maintenance



MECHANICAL ENGINEERING

Manufacturing



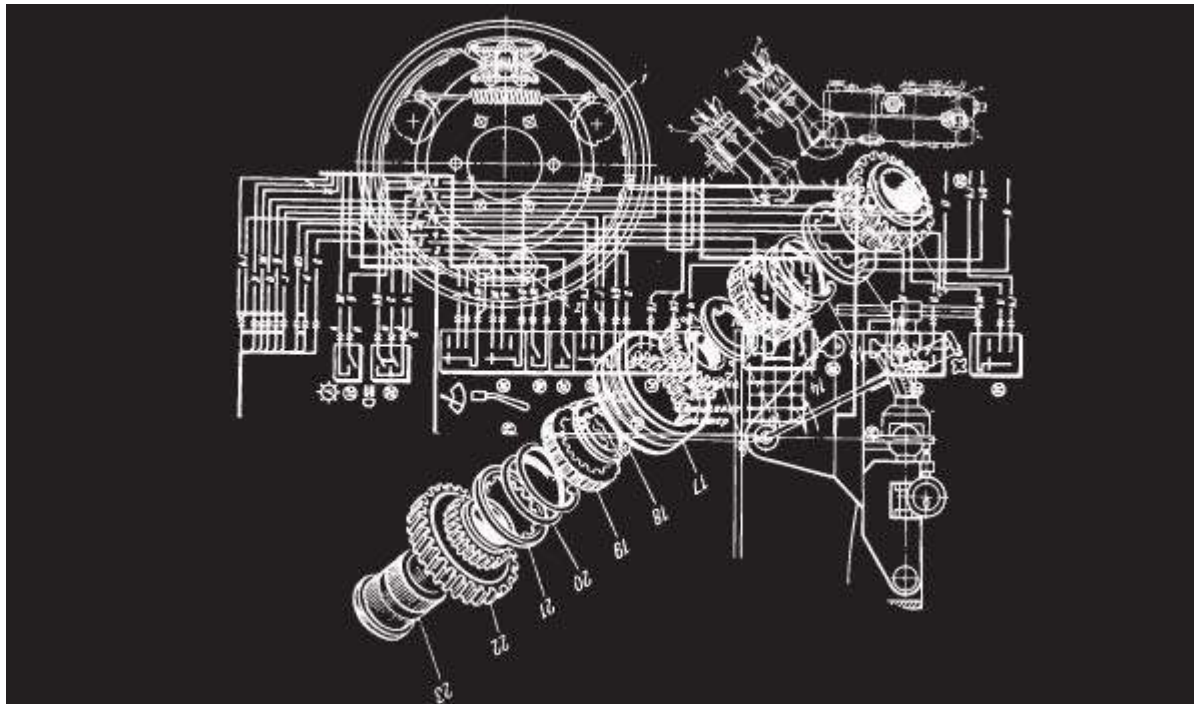
MECHANICAL ENGINEERING

Marine



MECHANICAL ENGINEERING

Mechanical design



MECHANICAL ENGINEERING

Mechatronics



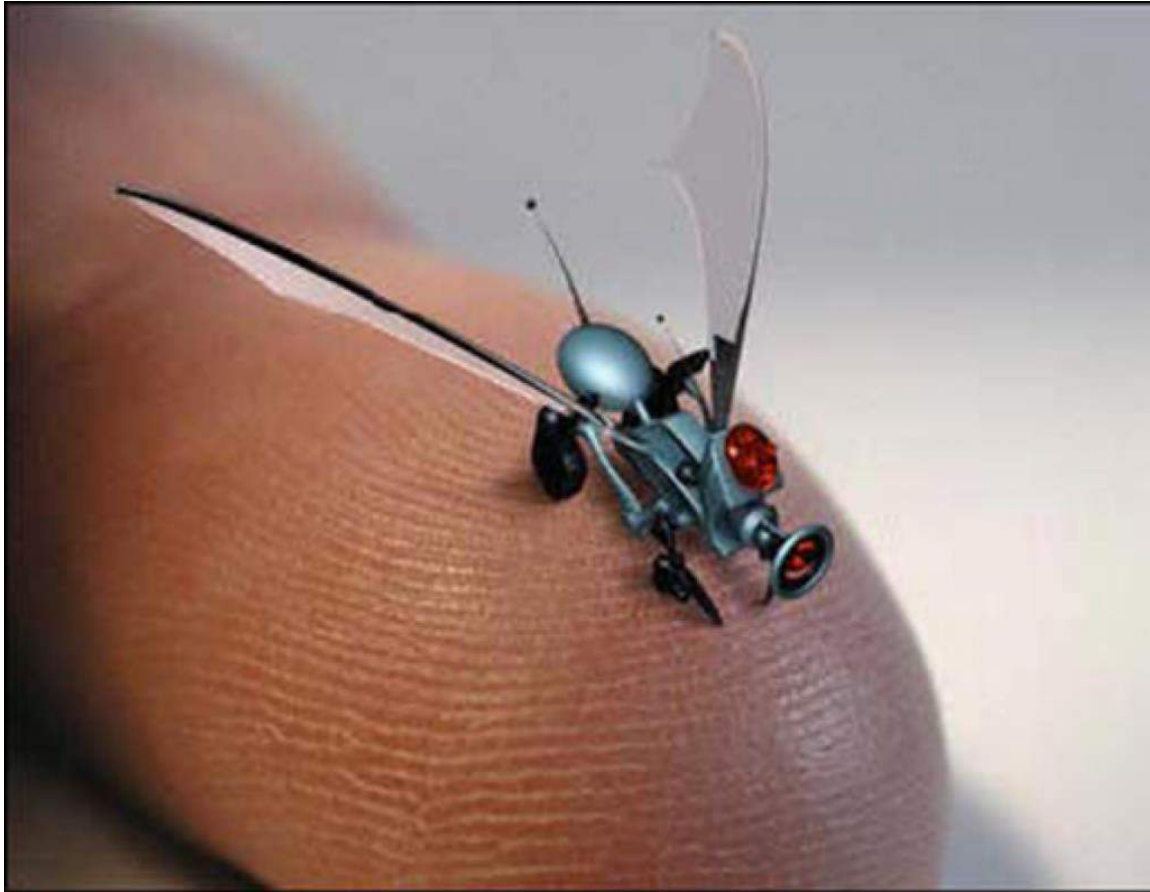
MECHANICAL ENGINEERING

Military



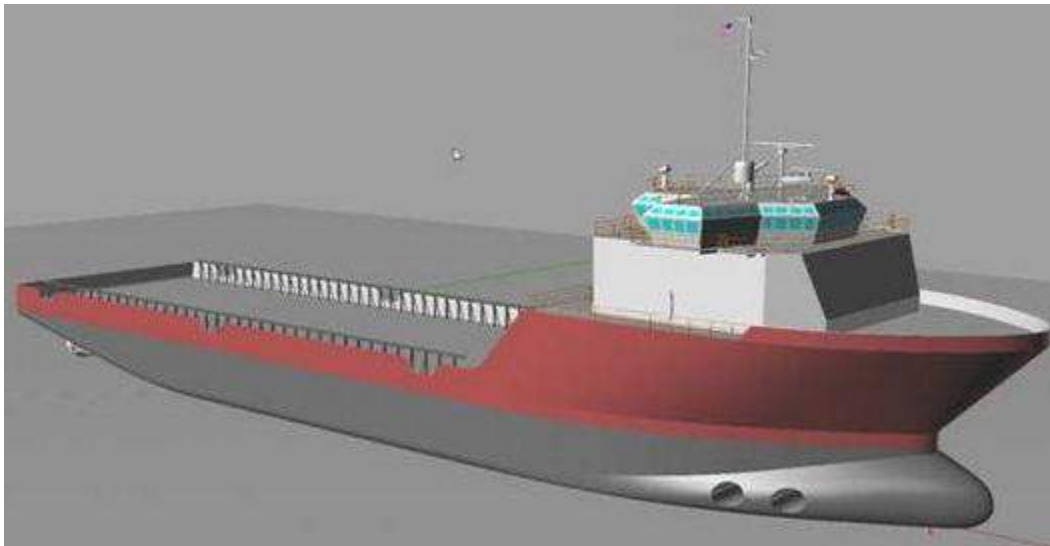
MECHANICAL ENGINEERING

Nanotechnology



MECHANICAL ENGINEERING

Naval Architecture



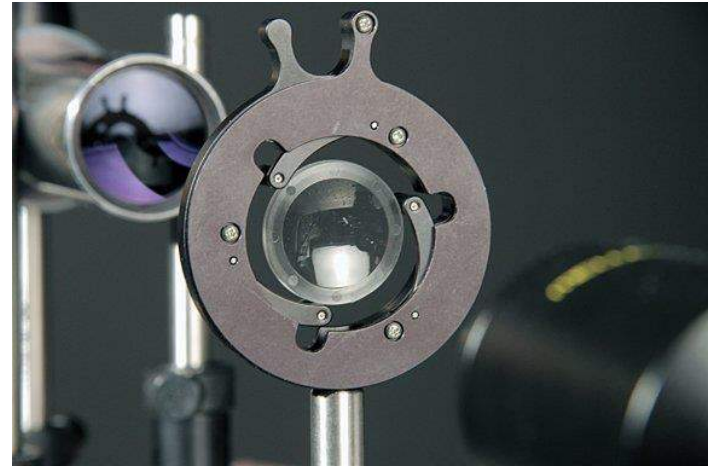
MECHANICAL ENGINEERING

Nuclear



MECHANICAL ENGINEERING

Optical systems



MECHANICAL ENGINEERING

Packaging and warehousing



MECHANICAL ENGINEERING

Petroleum and chemical plants



MECHANICAL ENGINEERING

Power plant



MECHANICAL ENGINEERING

Production



MECHANICAL ENGINEERING

Quality and standards



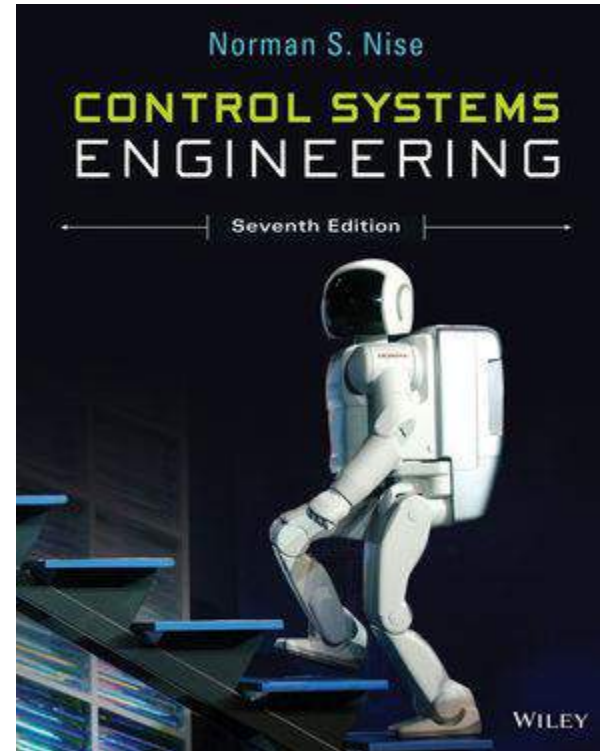
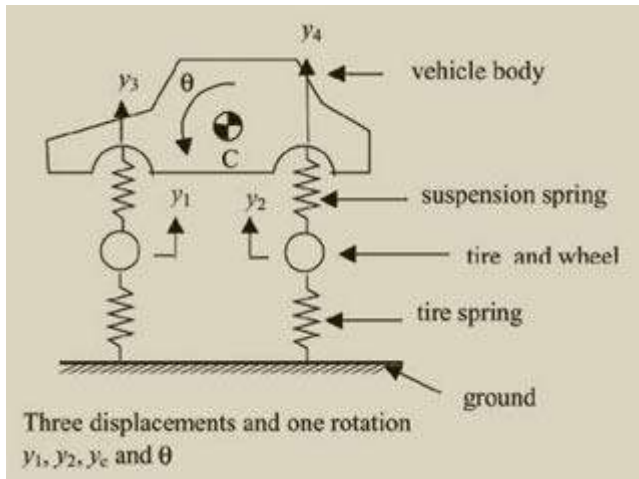
MECHANICAL ENGINEERING

Robotics



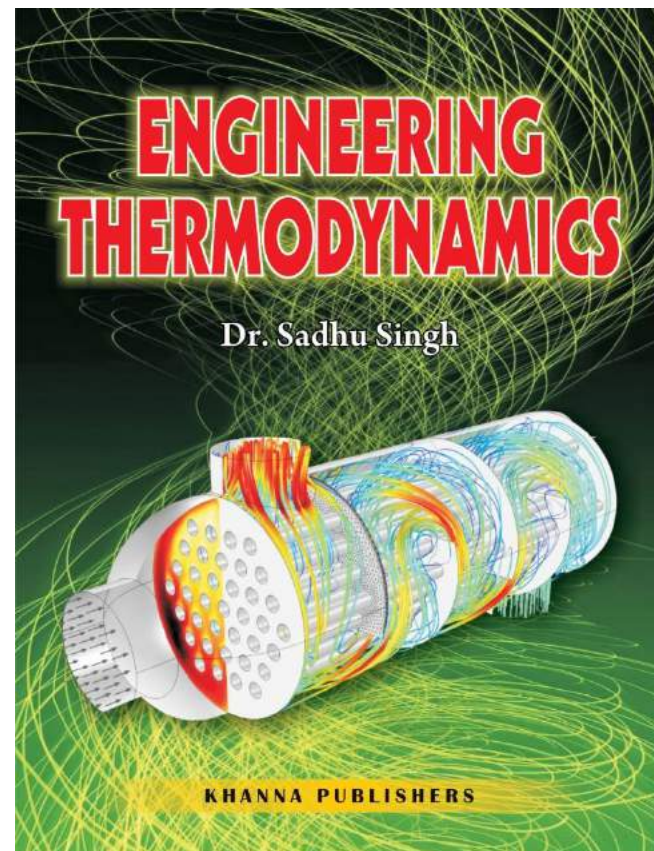
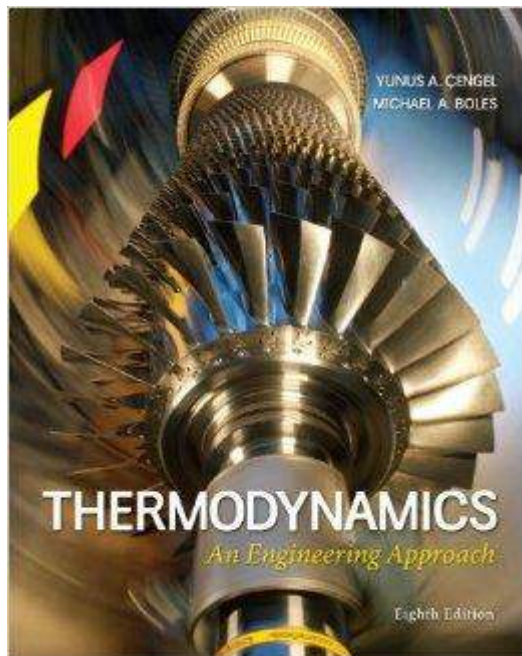
MECHANICAL ENGINEERING

System dynamics and control



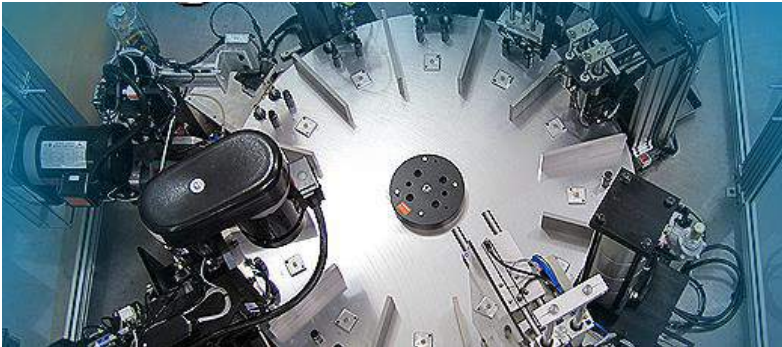
MECHANICAL ENGINEERING

Thermodynamics



MECHANICAL ENGINEERING

Tool and die



MECHANICAL ENGINEERING

Transportation systems



MECHANICAL ENGINEERING

Ultrasonics



MECHANICAL ENGINEERING

Valves



MECHANICAL ENGINEERING

Welding



MECHANICAL ENGINEERING

Wind turbines



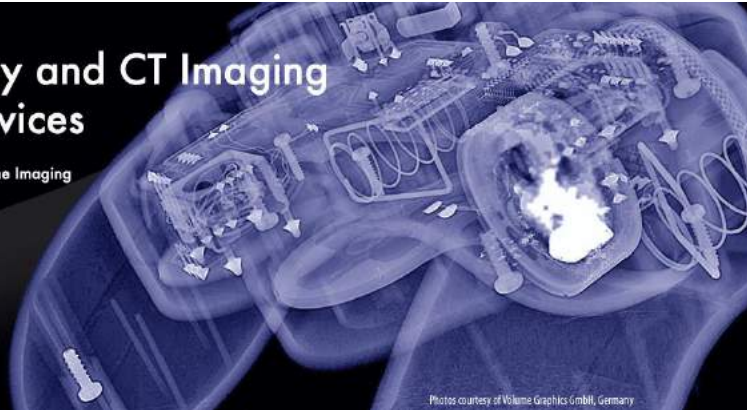
MECHANICAL ENGINEERING

X-Ray equipment

Industrial X-Ray and CT Imaging Inspection Services

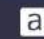
High-resolution 2-Dimensional Realtime Imaging
3D CT Imaging for Failure Analysis
High-energy 2D/3D Imaging
Forensic Engineering
Equipment/Lab

[Learn More](#)



Photos courtesy of Volume Graphics GmbH, Germany



 alamy stock photo

AST1941
www.alamy.com

MECHANICAL ENGINEERING

Yachts



MECHANICAL ENGINEERING

“Zeppelins” (Airships)

